

# **AC6328A Datasheet**

**Zhuhai Jieli Technology Co.,LTD**

**Version: V1.0**

**Date: 2021.03.04**

**Copyright © Zhuhai Jieli Technology Co.,LTD. All rights reserved.**

## AC6328A Features

### High performance 32-bit RISC CPU

- RISC 32-bit CPU
- DC-96MHz operation
- 73KB data RAM
- 8KB I-cache 2way
- 1KB Rocache 1way
- 64 Vectored interrupts
- 8 Levels interrupt priority

### Flexible I/O

- 3 GPIO pins
- All GPIO pins can be programmable as input or output individually
- All GPIO pins are internal pull-up/pull-down selectable individually
- CMOS/TTL level schmitt triggered input
- External wake up/interrupt on all GPIOs

### Peripheral Feature

- One Full Speed USB OTG controller
- Four Multi-function 32-bit timers, support capture and PWM mode
- Three full-duplex advanced UART(DMA)
- One IIC interface supports host and device mode
- 16-bit PWM generator for motor driving
- 3 channels 10-bit ADC
- 1 channel 8 levels Low Power Detector
- Embedded PMU support low power mode

- Watchdog
- Power-on reset

### Bluetooth Feature

- CMOS single-chip fully-integrated radio and baseband
- Compliant with Bluetooth
- V5.0+BR+EDR+BLE specification
- Bluetooth Piconet and Scatternet support
- Meet class2 and class3 transmitting power requirement
- Support GFSK and  $\pi/4$  DQPSK all packet types
- Provides +8dbm transmitting power
- Receiver with -92dBm sensitivity
- Support a2dp\avctp\avdtp\avrcp\hfp\spp\smp\att\gap\gatt\rfcomm\sdp\l2cap profile

### Power Supply

- VDDIO is 1.8V to 3.4V

### Packages

- SOP8

### Temperature

- Operating temperature: -40°C to +85°C
- Storage temperature: -65°C to +150°C

### Confidential

The information contained herein is the exclusive property of JIELI and shall not be distributed, reproduced, or disclosed in whole or in part without prior written permission of JIELI.

# 1. Block Diagram

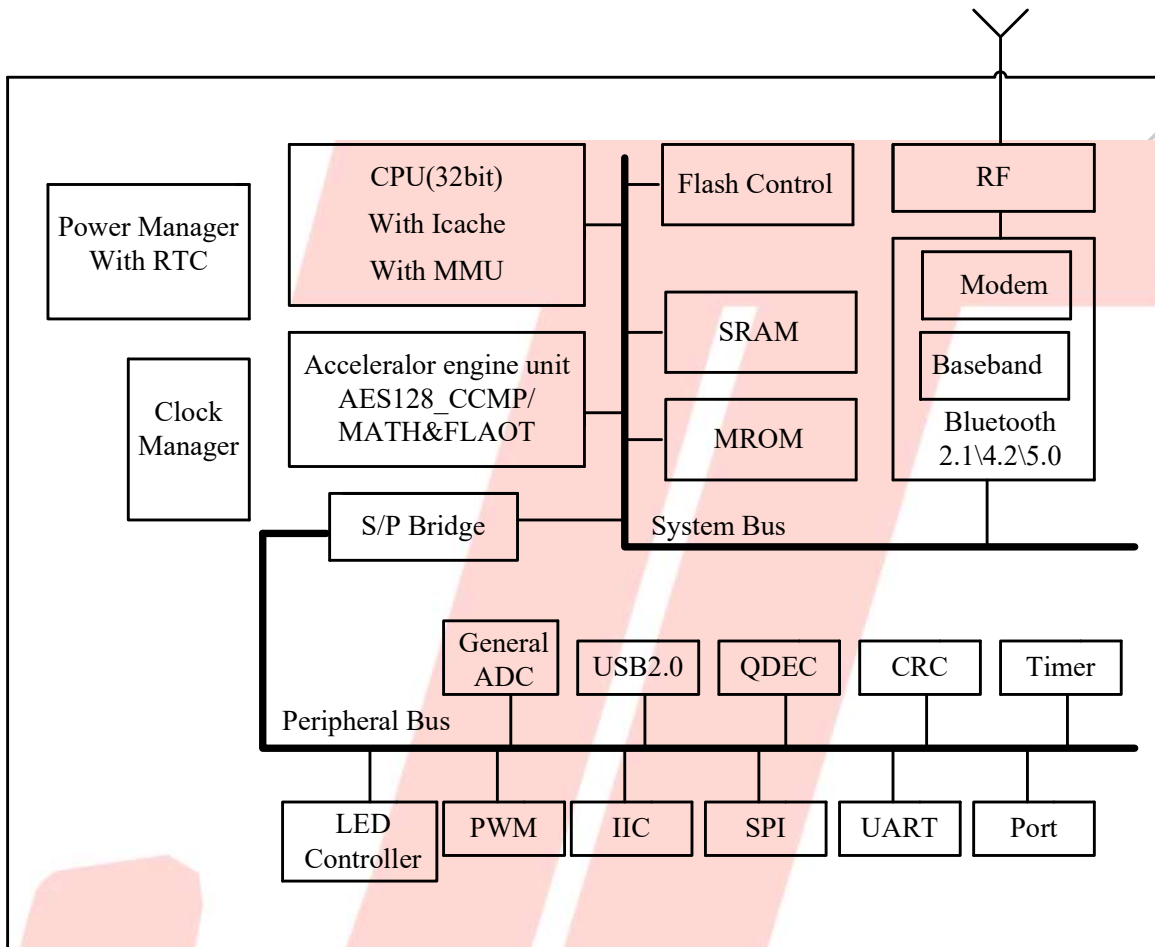


Figure 1-1 AC6328A\_SOP8 Block Diagram

## 2. Pin Definition

### 2.1 Pin Assignment

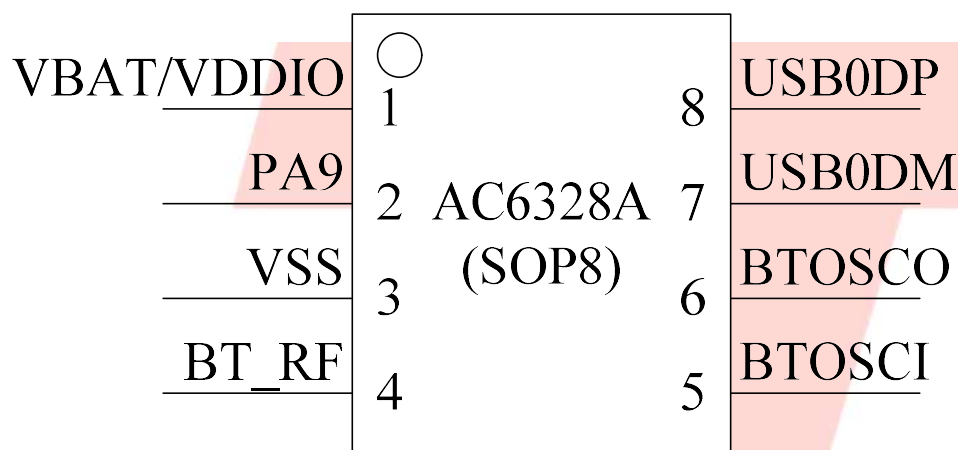


Figure 2-1 AC6328A\_SOP8 Package Diagram

## 2.2 Pin Description

Table 2-1 AC6328A\_SOP8 Pin Description

PIN NO.	Name	I/O Type	Function	Other Function
1	VBAT	P	LDO Power	-
	VDDIO	P	IO Power 3.3V	-
2	PA9	I/O	GPIO (pull up)	Long Press Reset; ADC8: ADC Channel 8;
3	VSS	P	GND	-
4	BT_RF	-	RF Antenna	-
5	BTOSCI	I	BTOSCI	-
6	BTOSCO	O	BTOSCO	-
7	USB0DM	I/O	GPIO (pull down)	IIC_SDA_A: IIC SDA(A); ADC11: ADC Channel 11; UART1_RXD: Uart1 Data In(D);
8	USB0DP	I/O	GPIO (pull down)	IIC_SCL_A: IIC SCL(A); ADC10: ADC Channel 10; UART1_TXD: Uart1 Data Out(D);

### Confidential

The information contained herein is the exclusive property of JIELI and shall not be distributed, reproduced, or disclosed in whole or in part without prior written permission of JIELI.

## 3. Electrical Characteristics

### 3.1 Absolute Maximum Ratings

Table 3-1

Symbol	Parameter	Min	Max	Unit
T <sub>opt</sub>	Operating temperature	-40	+85	°C
T <sub>stg</sub>	Storage temperature	-65	+150	°C
V <sub>VDDIO</sub>	3.3V IO Input Voltage	-0.3	3.6	V

Note : The chip can be damaged by any stress in excess of the absolute maximum ratings listed below

### 3.2 Recommended Operating Conditions

Table 3-2

Symbol	Parameter	Min	Typ	Max	Unit	Test Conditions
V <sub>VDDIO</sub>	Voltage Input	1.8	3.0	3.4	V	

### 3.3 IO Input/Output Electrical Logical Characteristics

Table 3-3

IO input characteristics						
Symbol	Parameter	Min	Typ	Max	Unit	Test Conditions
V <sub>IL</sub>	Low-Level Input Voltage	-0.3	–	0.3* V <sub>VDDIO</sub>	V	V <sub>VDDIO</sub> = 3.3V
V <sub>IH</sub>	High-Level Input Voltage	0.7* V <sub>VDDIO</sub>	–	V <sub>VDDIO</sub> +0.3	V	V <sub>VDDIO</sub> = 3.3V
IO output characteristics						
V <sub>OL</sub>	Low-Level Output Voltage	–	–	0.33	V	V <sub>VDDIO</sub> = 3.3V
V <sub>OH</sub>	High-Level Output Voltage	2.7	–	–	V	V <sub>VDDIO</sub> = 3.3V

### 3.4 Internal Resistor Characteristics

Table 3-4

Port	Drive Strength	Internal Pull-Up Resistor	Internal Pull-Down Resistor	Comment
PA9	drive_select[11] 24mA drive_select[10] 24mA (with 120ohm res) drive_select[01] 8mA drive_select[00] 8mA (with 120ohm res)	10K	10K	1. PA9 default pull up 2. USB0DM&USB0DP default pull down 3. Internal pull-up/pull-down resistance   accuracy $\pm 20\%$
USB0DP	4mA	1.5K	15K	
USB0DM	4mA	180K	15K	

### 3.5 BT Characteristics

#### 3.5.1 Transmitter

Basic Data Rate

Table 3-5

Parameter	Min	Typ	Max	Unit	Test Conditions
RF Transmit Power		4	6	dBm	25°C, Power Supply VDDIO=3.3V 2441MHz
RF Power Control Range		20		dB	
20dB Bandwidth		950		KHz	
Adjacent Channel	+2MHz	-40		dBm	
	-2MHz	-38		dBm	
Transmit Power	+3MHz	-44		dBm	
	-3MHz	-35		dBm	

Enhanced Data Rate

Table 3-6

Parameter	Min	Typ	Max	Unit	Test Conditions
Relative Power		-1		dB	25°C, Power Supply VDDIO=3.3V 2441MHz
$\pi/4$ DQPSK	DEVM RMS	6		%	
	DEVM 99%	10		%	
	DEVM Peak	15		%	
Adjacent Channel	+2MHz	-40		dBm	
	-2MHz	-38		dBm	
Transmit Power	+3MHz	-44		dBm	
	-3MHz	-35		dBm	

#### Confidential

The information contained herein is the exclusive property of JIELI and shall not be distributed, reproduced, or disclosed in whole or in part without prior written permission of JIELI.

### 3.5.2 Receiver

#### Basic Data Rate

Table 3-7

Parameter		Min	Typ	Max	Unit	Test Conditions
Sensitivity			-92		dBm	25°C, Power Supply VDDIO=3.3V 2441MHz
Co-channel Interference Rejection			-13		dB	
Adjacent Channel	+1MHz		+5		dB	
	-1MHz		+2		dB	
	+2MHz		+37		dB	
Interference Rejection	-2MHz		+36		dB	
	+3MHz		+40		dB	
	-3MHz		+35		dB	

#### Enhanced Data Rate

Table 3-8

Parameter		Min	Typ	Max	Unit	Test Conditions
Sensitivity			-92		dBm	25°C, Power Supply VDDIO=3.3V 2441MHz
Co-channel Interference Rejection			-13		dB	
Adjacent Channel	+1MHz		+5		dB	
	-1MHz		+2		dB	
	+2MHz		+37		dB	
Interference Rejection	-2MHz		+36		dB	
	+3MHz		+40		dB	
	-3MHz		+35		dB	

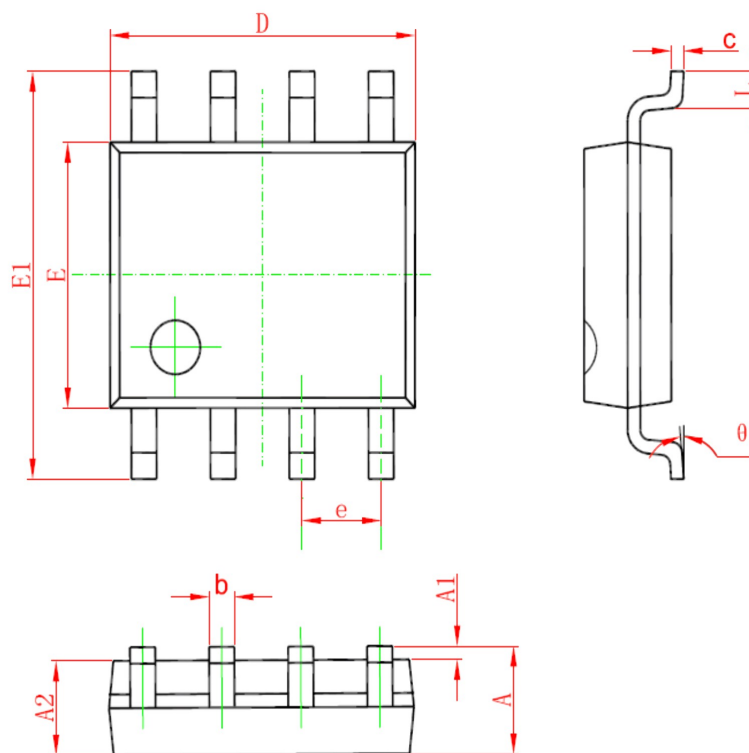
#### Confidential

The information contained herein is the exclusive property of JIELI and shall not be distributed, reproduced, or disclosed in whole or in part without prior written permission of JIELI.



## 4. Package Information

### 4.1 SOP8



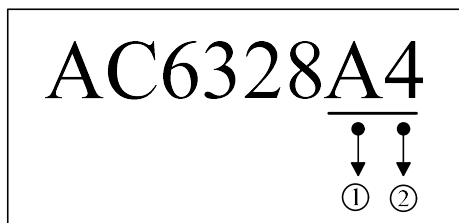
Symbol	Dimension In Millimeters		Dimension In Inches	
	Min	Max	Min	Max
A	1.350	1.750	0.053	0.069
A1	0.100	0.250	0.004	0.010
A2	1.350	1.550	0.053	0.061
b	0.330	0.510	0.013	0.020
c	0.170	0.250	0.007	0.010
D	4.700	5.100	0.185	0.201
E	3.800	4.000	0.150	0.157
E1	5.800	6.200	0.228	0.244
e	1.27TYP		0.050TYP	
L	0.400	1.270	0.016	0.050
$\theta$	0°		8°	

Figure 4-1 AC6328A\_SOP8 Package

#### Confidential

The information contained herein is the exclusive property of JIELI and shall not be distributed, reproduced, or disclosed in whole or in part without prior written permission of JIELI.

## 5. Package Type Specification



① Represents different packages

② Represents different memory sizes

2: 2Mbit Flash

4: 4Mbit Flash

## 6. Revision History

Date	Revision	Description
2021.03.04	V1.0	Initial Release